

# PIXFIX Local



## Content Manage and Deliver on Campus

**PIXFIX-Local multi tasks** by archiving live video, content manages, organizes, logs, genre tags, cloud syncs and delivers video in the INTRANET and Behind the firewall network. This unique product combines with PIXFIX Flex, Versa and Statix to deliver LIVE and STORED video across INTRANETS. This most sought solution for education and corporate market, helps in saving the network overhead and delivering private on premise content.

### APPLICATIONS

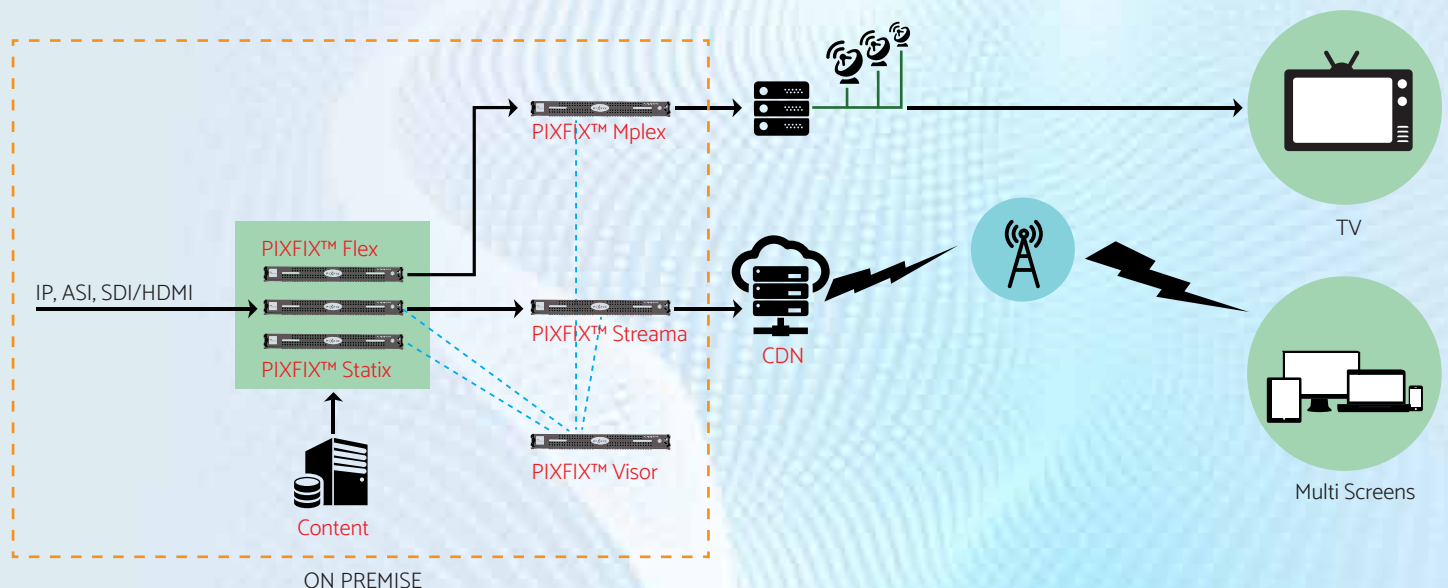
PIXFIX Local - the most flexible and intuitive local server based video management and delivery platform for intranet and behind the firewall applications. The state of the art platform has inherent capabilities to store, manage, and distribute, stream live and on-demand assets with in the installed network. For any SMB, Education institution, Corporates managing and streaming video assets on multiple screens with in the firewall has gotten that much easier with PIXFIX Local.

PIXFIX Local works independently or with PIXFIX Flex, PIXFIX Statix and PIXFIX Versa to manage and deliver video assets with in the intranet and behind the firewall. PIXFIX Local is available as add-on SW package.

### FEATURES AND BENEFITS

- Account management for users that helps in authentication and access control
- Intuitive web UI console
- Live and On Demand Video Management for content management
- Playlist management for automated video payout
- Player management for end user viewing activities
- Analytics for statistics information
- Available as an add on along with PIXFIX Versa, PIXFIX Flex and PIXFIX Statix

## PIXFIX™ in BROADCAST OTT WORK FLOW



# General specifications for

# PIXFIX Local



## ACCOUNT MANAGEMENT

- o Admin access
- o Integration with local network directory (LDAP), OAuth, etc.,

## LIVE VIDEO MANAGEMENT

- o Live video with PIXFIX-VERSA, FLEX and STATIX
- o One touch push to CLOUD
- o Play and Store (Live video archival)
- o Events scheduler for play list management
- o Video format and bit rate management

## ON DEMAND VIDEO MANAGEMENT

- o On-Demand video upload
- o On-Demand video scan (on network drives)
- o On-Demand video link
- o You Tube or Open internet links ingestion
- o Video Metadata extraction
- o Library and preview

## PLAY LIST

- o Multiple file tagging
- o Multiscreen capable video streaming
- o Live and On-Demand assets playlist
- o Auto play

## PLAYER

- o Brand able video players
- o Conditional business access rules
- o Responsive and device compliant

## ANALYTICS

- o Live and On-Demand analytics

## HTTP REST API

- o Cloud integration

## PRODUCT AT A GLANCE

The intuitive software add-on for content management and video delivery for on campus behind the firewall needs. Works with RiverSilica's PIXFIX™ Series of products.

### PIXFIX™ Local availability

S.NO	LICENSE
1	FIPIXFIX™ Local for SB1000
2	PIXFIX™ Local for EL1000
3	PIXFIX™ Local for EL1720
4	PIXFIX™ Local for HE3160
5	PIXFIX™ Local for HE5500

\*\* Check with riversilica for hw compatibility and additional storage based on the customer use case. Storage needs for the hw will be computed based on the number of files and viewing bit rate needs. Number of viewers is approximated based on base delivery video bit rate and prevailing network interface. For more viewers PIXFIX™ Streama with associated PIXFIX™ hw needs to be used.