

PIXFIX Streama

Seamless Integration For Your Streaming Needs

PIXFIX Streama helps you to stitch in the complete work flow by aiding in multiscreen delivery across **on premise infrastructure**. Count on PIXFIX Streama, if you are looking for delivery formats like HLS, HDS, DASH etc., and if you are looking for support for Multi DRM for monetization needs. Based on number of subscribers and bit rate needs, the product is available flexibly on multiple flavours of RiverSilica's hardware.

APPLICATIONS

For any on premise streaming or off premise streaming, PIXFIX Streama can be hooked to **PIXFIX Flex** or comes in built with **PIXFLEX Versa** for all your streaming needs. For Broadcast, education, Corporate and faith markets - Live or On Demand Streaming needs- To complete the video chain for flexible file formats and adaptive bit rate needs, RiverSilica can deliver a one stop shop solution for all your needs.

Built on a choice of multiple sub categories of PIXFIX™ EL and HE Series Chassis, a variety of options can be exercised for enterprise streaming solution based on the number of subscribers and bit rate needs.

PRODUCT AT A GLANCE

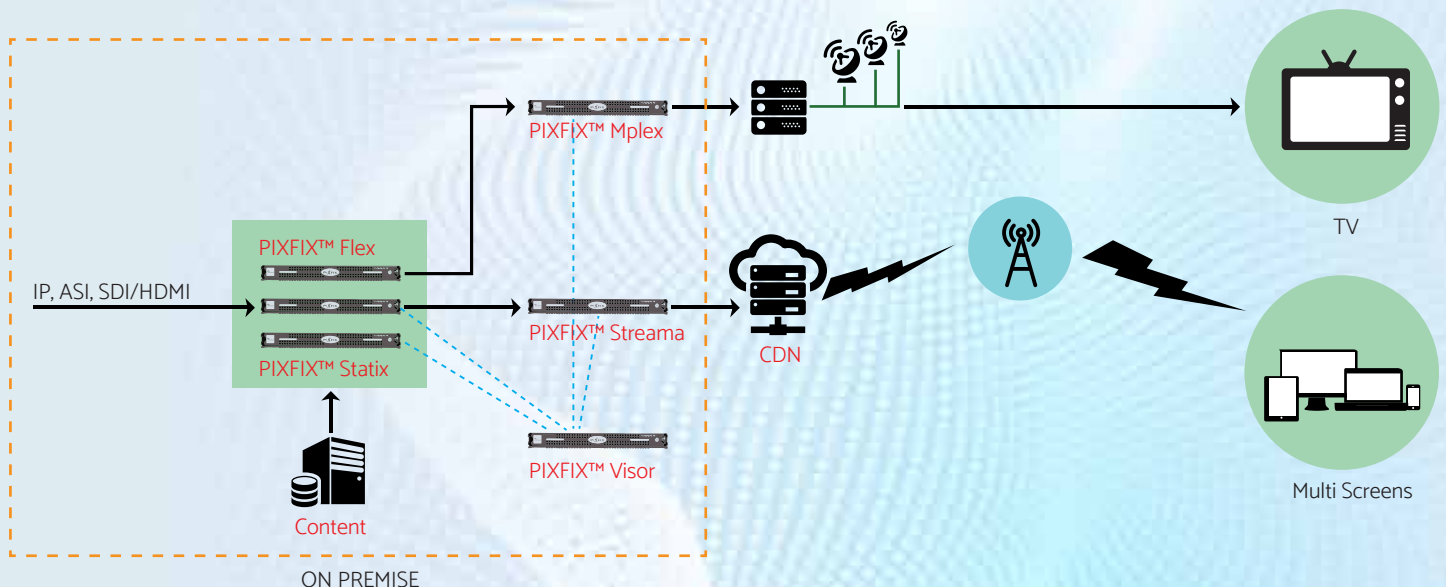
Entry to Enterprise class streaming and monetization hardware for LIVE and ON DEMAND video delivery for multi-screen applications

Running on PIXFIX™EL, HE class hardware is capable of delivering Multi screen video for end devices by taking videos from PIXFIX™ Flex and Statix work flow

FEATURES AND BENEFITS

- Seamless integration with RiverSilica's PIXFIX Flex for end to end OTT work flow delivery
- Single look and feel configuration interface
- DRM encapsulation for content protection
- VOD asset creation for time shifting video requirements
- Control and safety through PIXFIX Visor
- PIXFIX-STREAMA is available on RiverSilica's PIXFIX EL, HE Series based on COTS Intel™ platform.

PIXFIX™ in BROADCAST OTT WORK FLOW



General Specifications for PIXFIX Streama

INPUT INTERFACES

- o Multiple Gigabit IP interface

INPUT STREAM

- o TS/UDP (Unicast and multicast SPTS and MPTS)
- o TS/RTP (Unicast and multicast SPTS and MPTS)
- o TS/HTTP-SPTS and MPTS
- o RTMP, RTSP and IP Camera
- o MP4, MKV, MOV

INPUT VIDEO CODECS

- o H264 – BP/MP/HP – 4:2:2 10Bit,
- o HEVC

INPUT AUDIO CODECS

- o MPEG1 Layer3
- o Dolby™-AC3
- o AAC-MPEG2
- o MPEG4 (LC, HEAAC, HEAACv2),
- o MPEG4 ALS

METADATA

- o CEA608/708 Closed captioning

STREAMING SERVER PROTOCOL

- o Apple HLS, Adobe HDS
- o Microsoft Smooth Streaming
- o Mpeg DASH, Adobe RTMP, RTSP
- o HLS with SCTE cues
- o Multi DRM Support
- o AES 128 encryption for HLS
- o Deferred live streaming
- o nDVR simultaneous storage for VOD

CONTROL MONITORING

- o Auto sensing of incoming media, media info
- o Input stream view on web console
- o Web based UI
- o Thumbnails preview on web console
- o Tile based preview for monitoring
- o Express Job Settings
- o Pre and post job scripts
- o Jobs scheduling and Prioritization
- o Dynamic parameter changing while job is running
- o System configuration backup and restore
- o Fans and temperature monitoring

OUTPUT INTERFACES

- o Multiple Gigabit IP interface with redundancy

MISC FEATURES

- o Output file push to remote FTP/HTTP servers
- o Output stream redundancy through automatic switchover (Active - Passive)

SYSTEMS

- o Remote File storage mount – NFS, CIFS
- o Output stream redundancy in active active mode
- o Auto restart of jobs in unrecoverable errors
- o Log and Notification alerts
- o Real time health statistics
- o Input stream availability indicator
- o SNMP
- o System dashboard with realtime statistics of CPU, Network, Jobs, Memory etc.,
- o Fans and temperature monitoring
- o Device manager for autodetecting PnP devices
- o Complete network diagnostic involving DNS test, Speed test, Tracer etc.,

PLATFORM SPECS

- o Runs on COTS Intel™ Platform
- o CentOS
- o Based on Mini, 1RU, 2RU chassis
- o Optional RPS and RAID
- o Upto 6 Gigabit ports & 6 TB local storage

PIXFIX™ Streama on PIXFIX™ HW platform configuration

S.NO	LICENSE	HW PLATFORM	CHASSIS	DEPTH	POWER	RPS	ENET	ENET	HDD	INPUT	OUTPUT
		PART NO			SUPPLY			ADDL	SATA		
1	PIXFIX™ Streama	EL1000	1RU	HALF	350W	✘	1X 1 Gig	✘	1TB	IP	IP
2	PIXFIX™ Streama	EL1720	1RU	FULL	600W	✘	2X 1 Gig	✘	1TB	IP	IP
3	PIXFIX™ Streama	HE3160	1RU	FULL	600W	✘	2X 1 Gig	2X 10 Gig	1TB	IP	IP

- * The no of users to be streamed will be dependent on the output bit rates streamed and the network port capacity per PIXFIX™ HW
- * Optional redundancy is possible in 1 + 1 combination with additional PIXFIX™ Visor license in the 1 + 1 box
- * For additional storage beyond 1TB please contact RiverSilica
- * For RPS models please contact RiverSilica