



PIXFIX Statix

Best In Class File To File Transcoding Solution

PIXFIX Statix product line offers **best in class off-line transcoding** solution for multi codec, multi format, multi bit rate for any of the file re-shaping needs. This software based solution delivers assets for your on-demand use and seamlessly fits in to the work flow. The flexibility helps in choosing your needs for a low to high volume work flow needs with its available HW infrastructure.

PIXFIX Statix is superfast, high performance file transcoding solution for broadcasters, CDN operators and enterprise to traditional and new media platforms. Whether it is low or high volume file transcoding needs, PIXFIX Statix offers across the board features for the best in class TCO and gives all round product flexibility for multi codec, multi format, multi bit rate reshaping solutions.

APPLICATIONS

For those Broadcasters, Online video platforms, CDN's, Data Centres, TELCO, Education markets etc., who want to build ON DEMAND platform with multiple types of video file ingestion and who want multi codec, multi file type, multi bit rated, multi frame rated etc., look no further beyond for your low volume to enterprise content re-shaping needs.

PIXFIX Statix delivers peak transcode performance with its state of the art software driven video processing engine for ON DEMAND file transcoding which includes file reshaping, bit reshaping and content for multi screen streaming capabilities. Along with **PIXFIX Local**, the solution extends to archive, content management etc., With **PIXFIX Sequence**, the play out capabilities can be added for an IP Channel in a box scenario.

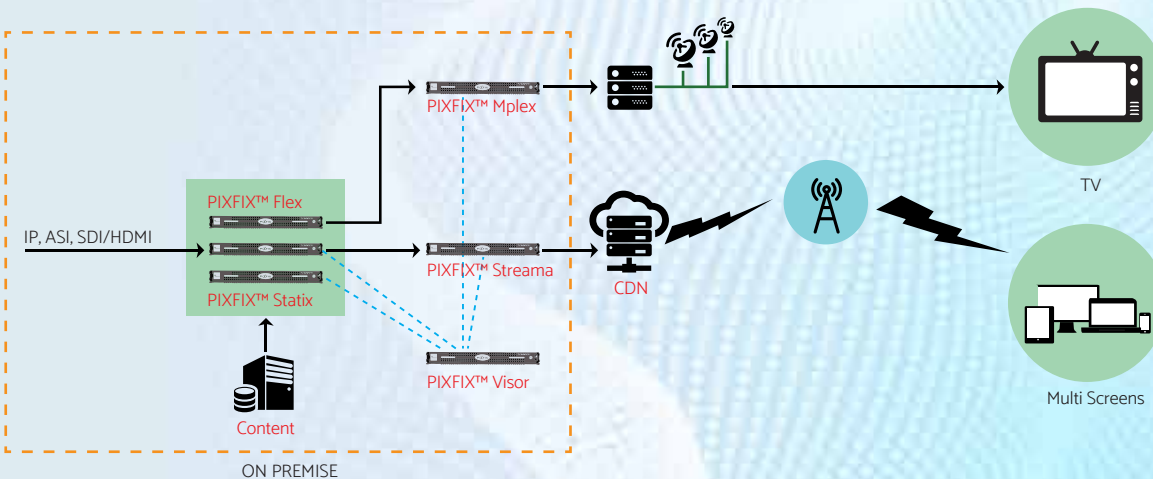
PRODUCT AT A GLANCE

Entry and Enterprise grade File to File transcoding solution PIXFIX Statix running on EL/HE Hardware infrastructure delivers the best in class performance.

FEATURES AND BENEFITS

- Highly versatile, Ultra flexible and configurable through state of the art software defined video processing and acceleration using RAFT™, SAND™ and HELM™
- Multiple IP inputs and outputs
- Multi CODEC, Multi format, Multi bit rate and Multi frame rate available for any kind of IP file input.
- Multibit rate and dynamic bitrate management through PIXABIT™
- Watch folder for file to file transcoding work flow management
- Video quality management through PIXIT™
- Control and safety through **PIXFIX Visor**
- Archival and CMS through **PIXFIX Local**
- File play out through IP with **PIXFIX Sequence**
- PIXFIX-STATIX is available on RiverSilica's PIXFIX™ EL, HE series chassis based on COTS Intel™ platform.

PIXFIX™ in BROADCAST OTT WORK FLOW



General Specifications for **PIXFIX Statix**

INPUT INTERFACES

- o Multiple Gigabit IP interface

INPUT STREAM

- o MPEG2 PS, MPEG TS
- o AVI, Wav, MOV, MP4, MXF, FLV, MKV

INPUT VIDEO CODECS

- o MPEG2-ML/HL 4:2:2
- o MPEG4 SP/ASP
- o H264 - BP/MP/HP - 4:2:2 10Bit
- o Apple Prores, HEVC
- o VC1, MJPEG
- o Fixed and variable frame rate
- o Standard and non-standard resolution
- o 1080p@60 up to 25Mbps for live delivery
- o Error resilience and concealment for erroneous input
- o Input video frame skip detection
- o Video pass through

INPUT AUDIO CODECS

- o MPEG1 Layer2 Y& Layer3
- o Dolby™-AC3
- o AAC-MPEG2
- o MPEG4 (LC, HEAAC, HEAACv2),
- o MPEG4 ALS
- o LPCM
- o WMA
- o Up to 8 channels 24 bit, 96KHz audio
- o Up to 96KHz sampling frequency
- o Audio pass through

METADATA

- o CEA608/708 Closed captioning

CONTROL MONITORING

- o Auto sensing of incoming media, media info
- o Input file ROI selection
- o Watchfolder configuration
- o Input stream view on web console
- o Input stream capture
- o Web based UI
- o Thumbnails preview on web console
- o Tile based preview for monitoring
- o Express Job Settings
- o Pre and post job scripts
- o Jobs scheduling and Prioritization
- o Dynamic parameter changing while job is running
- o System configuration backup and restore
- o Fans and temperature monitoring

PLATFORM SPECIFICATIONS

- o Runs on COTS Intel™ Platform
- o Based on Mini, 1RU, 2RU chassis
- o Optional RPS and RAID
- o Up to 6 Gigabit ports & 8 TB local storage

OUTPUT INTERFACES

- o Multiple Gigabit IP interface with redundancy

OUTPUT STREAM

- o MPEG TS, MP4, MOV, FLV, MKV

OUTPUT VIDEO CODECS

- o H.264, HEVC

OUTPUT AUDIO CODECS

- o MPEG 1 Layer 2/3
- o AAC-MPEG2
- o AAC-MPEG4 (LC, HEAAC, HEAACv2)
- o MPEG4 ALS
- o Up to 8 channel, 24 bit audio
- o Up to 96 KHz sampling frequency

PRE-PROCESSING

- o Hue, Contrast, brightness, saturation and gamma correction
- o De interlacing through BOB, Motion adaptive
- o Perceptual quality based video scaler
- o Standard and non-standard resolution
- o Multiple alpha blended logo overlay
- o Static/scrolling text overlay
- o Clock/Time code overlay
- o Cropping/Letter boxing
- o Audio channel, sample rate and bit conversion

ENCODING FEATURES

- o Look ahead based encoding
- o Low latency encoding & sub-second Glass to Glass delay
- o Deblocking filter
- o CBR, VBR and constrained VB streams
- o Scene change detection & characteristics based encoding
- o Encode, Transcode acceleration through RAFT™, HELM™, SAND™ algorithms
- o Configurable display aspect ratio and preserving DAR during scaling
- o Multi language/track audio coding in a single program
- o Upto 8 channel, 24 bit audio encoding

METADATA

- o CEA 608/708 pass through
- o DVB Subpicture passthrough

SYSTEMS

- o Express Job Settings
- o Jobs scheduling and Prioritization
- o Dynamic parameter changing while job is running
- o System configuration backup and restore
- o Remote File storage mount - NFS, CIFS
- o Auto restart of jobs in unrecoverable errors
- o Log and Notification alerts
- o Real time health statistics
- o Input stream available indicator
- o SNMP
- o System dashboard with realtime statistics of CPU, Network, Jobs, Memory etc
- o Complete network diagnostic involving DNS test, Speed test, Tracer etc

PIXFIX™ Statix on PIXFIX™ HW platform configuration

S.NO	LICENSE	HW PLATFORM	CHASSIS	DEPTH	POWER	RPS	ENET	ENET	HDD	INPUT	OUTPUT
		PART NO			SUPPLY			ADDL	SATA		
1	PIXFIX™ Statix	EL1720	1RU	FULL	600W	✘	2 X 1 Gig	✘	1TB	IP	IP
2	PIXFIX™ Statix	HE3160	1RU	FULL	600W	✘	2 X 1 Gig	✘	1TB	IP	IP
3	PIXFIX™ Statix	HE3160D	1RU	FULL	600W	✘	2 X 1 Gig	2 X 1 Gig	1TB	IP	IP