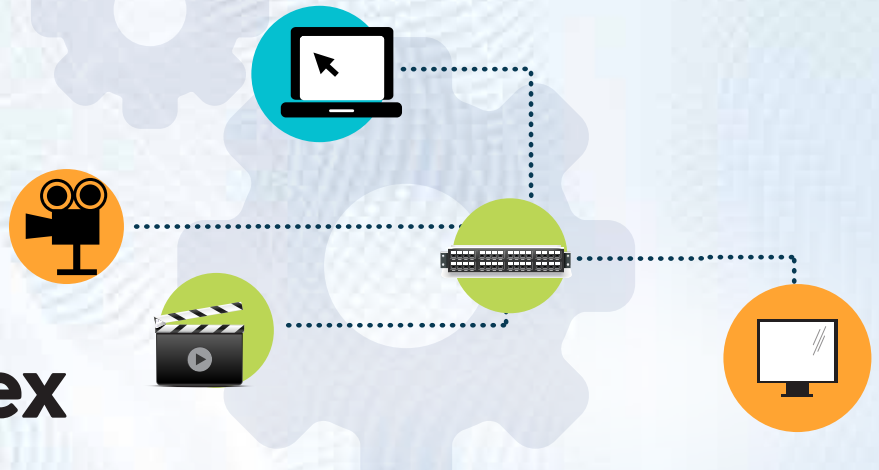


# PIXFIX Mplex



## Optimize Multiple Streams to a Single Stream

PIXFIX Mplex is a readymade software solution to combine multiple streams of CODECS in to single combined stream across H.264, HEVC etc., simplifying the work flow and optimizes the network needs of video delivery. With no effort, you can multiplex multiple SPTS and MPTS across multiple interfaces like ASI, IP and across multiple codecs like MPEG2, H.264, HEVC etc., by seamlessly blending with RiverSilica's PIXFIX VERSA and FLEX, gives the best suited solution for end to end video delivery work flow.

### APPLICATIONS

PIXFIX Mplex is provided as an add-on package with PIXFIX Versa and as an independent entity in the PIXFIX Flex work flow for BROADCAST market needs. With a seamless connectivity in PIXFIX™ IP Video work flow the opportunity to achieve network saving and optimize the rack space is immense with the software defined work flow. The software defined multiplexer provides immense flexibility and helps in creating MPTS across multiple input interfaces and multiple CODECS.

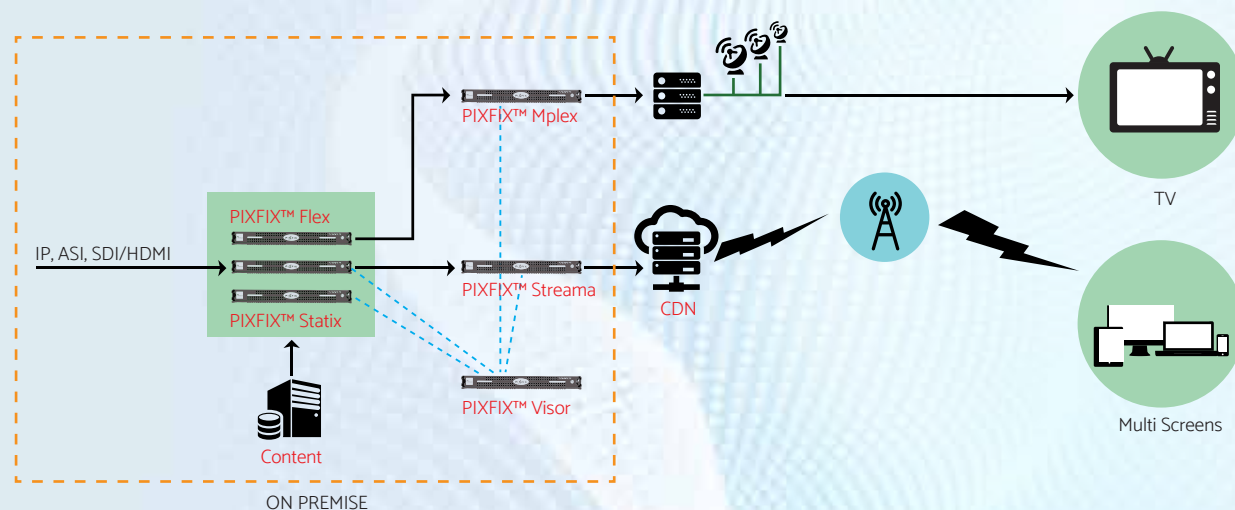
### PRODUCT AT A GLANCE

Capable of ingesting upto 16 inputs across various interfaces, PIXFIX(TM) - Mplex offers ease and flexibility to the customer to deliver multiplexed Transport streams.

### FEATURES AND BENEFITS

- Highly versatile, Ultra flexible and configurable through software defined multiplexing
- Multiple IP and ASI inputs
- Multi CODEC support
- Output aware configurability management
- Multiple input streams can be mapped to multiple outputs
- Control and safety through PIXFIX Visor
- Available as an add on in PIXFIX Versa
- Works seamlessly with PIXFIX Flex
- PIXFIX-MPLEX is available on RiverSilica's PIXFIX™ EL, HE series chassis based on COTS Intel™ platform.

## PIXFIX™ in BROADCAST OTT WORK FLOW



# General Specifications for

# PIXFIX Mplex

## INPUT INTERFACES

- o ASI, Multiple Gigabit IP interface

## INPUT STREAM

- o TS/ UDP (Unicast and multicast SPTS and MPTS)
- o TS/RTP (Unicast and multicast SPTS and MPTS)
- o TS/HTTP-SPTS and MPTS

## INPUT VIDEO CODECS

- o MPEG2-ML/HL 4:2:2
- o H264 – BP/MP/HP – 4:2:2 10Bit
- o HEVC

## INPUT AUDIO CODECS

- o MPEG1 Layer2 Y& Layer3
- o Dolby™-AC3
- o AAC-MPEG2
- o MPEG4 (LC, HEAAC, HEAACv2),
- o MPEG4 ALS
- o LPCM
- o Up to 8 channels 24 bit, 96KHz audio
- o Up to 96KHz sampling frequency
- o Audio pass through

## CONTROL & MONITORING

- o Auto sensing of incoming media, media info
- o Input stream view on web console
- o Input stream capture
- o Web based UI
- o Thumbnails preview on web console
- o Tile based preview for monitoring
- o Express Job Settings
- o Pre and post job scripts
- o Jobs scheduling and Prioritization
- o Dynamic parameter changing while job is running
- o System configuration backup and restore
- o Fans and temperature monitoring

## OUTPUT INTERFACES

- o Multiple Gigabit IP interface with redundancy, ASI

## OUTPUT STREAM

- o TS/UDP & TS/RTP Unicast and multicast – MPTS

## SYSTEMS

- o Output stream redundancy in active active mode
- o Auto restart of jobs in unrecoverable errors
- o Log and Notification alerts
- o Real time health statistics
- o Input stream available indicator
- o SNMP
- o System dashboard with realtime statistics of CPU, Network, Jobs, Memory etc
- o Fans and temperature monitoring
- o Device manager for autodetecting PnP devices
- o Complete network diagnostics involving DNS test, Speed test, Tracer etc

## PLATFORM SPECS

- o Runs on COTS Intel™ Platform
- o CentOS
- o Based on Mini, 1RU, 2RU chassis
- o Optional RPS and RAID
- o Upto 6 Gigabit ports & 6 TB local storage